

Discontinued 07/2023

LLR-16-HO MR-16 REMOTE CAPABLE THERMOPLASTIC EMERGENCY UNIT

STANDARD

OPTIONAL



ILLUMINATION

- Two fully adjustable 5.0 watt, MR-16 halogen lamp heads standard.
- High performance MR16 halogen lamps with smooth metallized reflector and glass lens for optimal light distribution.

ELECTRICAL

- Dual 120/277 voltage.
- Charge rate/power "ON" LED indicator light and push-to-test switch for mandated code compliance testing.
- LVD (low voltage disconnect) prevents battery from deep discharge.
- 6V maintenance-free, rechargeable sealed lead acid battery.
- Offers 10W of remote capacity (6V DC output) when using standard 5W halogen lamps and 13W of remote capacity (6V DC output) when using optional 3.3W LED lamps.
- Internal solid-state transfer switch automatically connects the internal battery to lamp heads for minimum 90-minute emergency illumination.
- Fully automatic solid-state, two rate charger initiates battery charging to recharge a discharged battery in 24 hours.

MOUNTING

- Universal knockout pattern on back plate for wall mount. Snaps into place making internal electrical connections.
- Knockout for conduit applications.

ORDERING INFORMATION

MODEL	HOUSING COLOR	OPTIONS
LLR-16-HO	(blank) White	SDT Self-Diagnostics
	B Black	USA Assembled In USA
		LED 3.3W High Lumen White LED Lamps ¹
		PLED 5.0W High Lumen White LED Lamps ¹



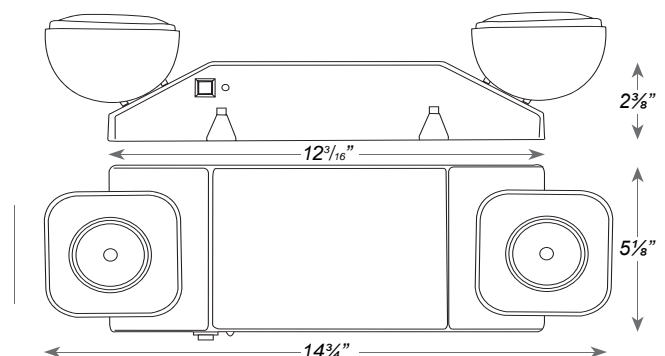
OPTIONS

- SDT: Self-diagnostic feature performs monthly, biannual, and annual tests to ensure reliable operation and meets electrical and life safety codes.
- USA: Substantial transformation assembly in the U.S. complies with "Assembled in the USA" under the Buy American Act.
- LED: 3.3W high performance MR-16 base LED lamps for increased center-to-center spacing.
- PLED: 5.0W high performance MR-16 base LED lamps for premium center-to-center spacing

WARRANTY / LISTING

- Five year warranty on all electronics and housing. Battery prorated for two years.
- Meets UL924, NFPA 101 Life Safety Code, NEC, OSHA, Local and State Codes.
- UL Listed for damp locations (20°C – 40°C).

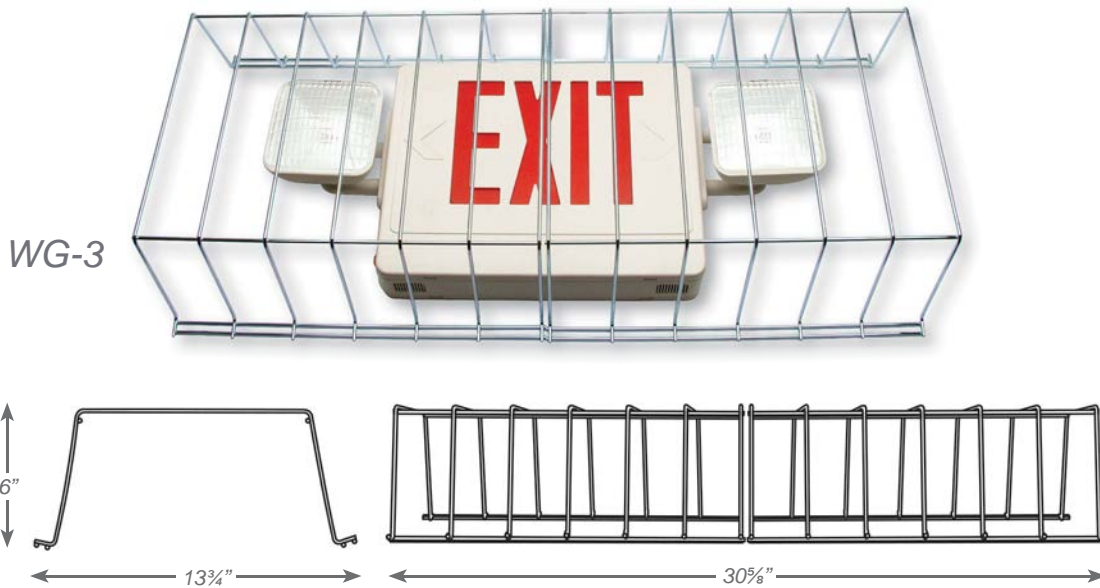
DIMENSIONS



WIRE GUARDS

WIRE GUARD

- Durable 9-gauge steel construction.
- Mounting hardware provided for easy field installation.



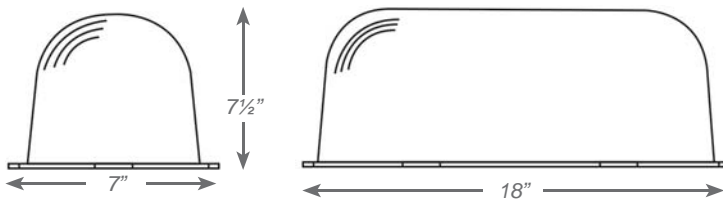
VANDAL SHIELDS

HOUSING / MOUNTING

- High-impact resistant polycarbonate material.
- Mounting hardware provided for easy installation in the field.



BG-R1



Job Name: _____

Type: _____

Part #: _____

Notes: _____

LED INDOOR THERMOPLASTIC REMOTE HEAD

ILLUMINATION

- Long lasting, efficient, ultra bright white LED lamp heads.
- 1.0 watt (8 LEDs x 0.125 watt) per head.
- High performance chrome-plated metalized reflector and plastic lens for optimal light distribution.
- Adjustable LED lamp heads provide optimal center-to-center spacing.
- Optional high lumen heads are 1.5 watts (12 LEDs x 0.125 watt per head) and provide increased center-to-center spacing.



ELECTRICAL

- Powered from low voltage power source with low voltage wiring (not provided).

MOUNTING

- Universal mounting adapter plate included. Mounts to single-gang switch box.
- Distance of maximum run is determined by system voltage, wire gauge and total maximum wattage on the run.
- Suitable for wall or ceiling mount.

HOUSING

- Injection-molded, engineering grade, 5VA flame retardant, high-impact resistant, thermoplastic in white or black finish.

WARRANTY/LISTING

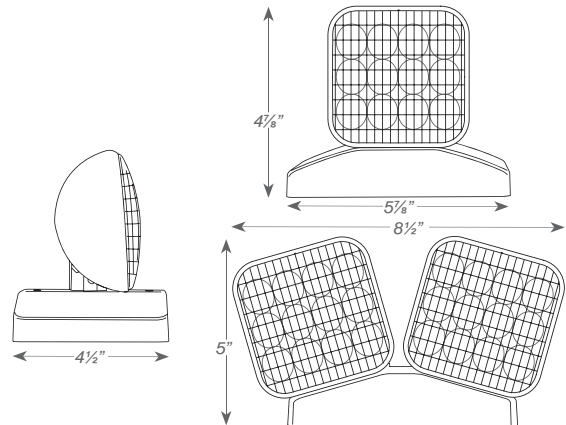
- Five year warranty.
- UL Listed with approved products.
- Meets UL924, NFPA 101 Life Safety Code, NEC, OSHA, Local and State Codes.

ORDERING INFORMATION

NOTE 1: SDT version of the LLR-16-HO does not allow for the use of remote heads.

NOTE 2: LLR-16-HO offer 10 watts of remote power with halogen heads and 13 watts of remote power with led heads: choose remote heads accordingly

DIMENSIONS



Reference individual unit equipment specification sheets for remote load capacity availability.

¹ Wattage rating stated per head.

MODEL	No. of HEADS	OPTIONS	VOLTAGE	COLOR	LAMP TYPE ¹
RHLED	1	Single Head	MV	(blank)	(blank)
	2	Double Head		Gray	8 LEDs 1W
		SDT		B	HL
		For Standard Non-Self-Diagnostic Fixtures For Use With Fixtures With A Self-Diagnostic Option	For Use With 3.6V, 6V, 9.6V & 12V DC Power Source	Black	12 LEDs 1.5W

Job Name: _____

Type: _____

Part #: _____

Notes: _____

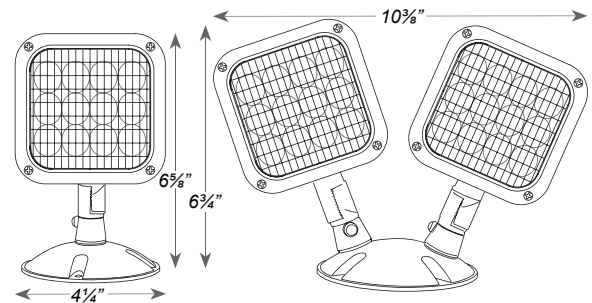
LED OUTDOOR POLYCARBONATE /DIE-CAST REMOTE HEAD

ILLUMINATION

- Long lasting, efficient, ultra bright white LED lamp heads.
- 1.0 watt (8 LEDs x 0.125 watt) per head.
- High performance chrome-plated metalized reflector and plastic lens for optimal light distribution.
- Adjustable LED lamp heads provide optimal center-to-center spacing.
- Optional high lumen heads are 1.5 watts (12 LEDs x 0.125 watt per head) and provide increased center-to-center spacing.



DIMENSIONS



ELECTRICAL

- Powered from low voltage power source with low voltage wiring (not provided).

MOUNTING

- Universal mounting adapter plate included. Mounts to single-gang switch box.
- Distance of maximum run is determined by system voltage, wire gauge and total maximum wattage on the run.
- Suitable for wall or ceiling mount.

HOUSING

- Available in both engineering grade, high-impact resistant polycarbonate or premium grade die-cast aluminum housing.
- Sealed and gasketed in standard gray or black finish.

WARRANTY/LISTING

- Five year warranty.
- UL Listed.
- Meets UL924, NFPA 101 Life Safety Code, NEC, OSHA, Local and State Codes.

ORDERING INFORMATION

NOTE 1: SDT version of the LLR-16-HO does not allow for the use of remote heads.

NOTE 2: LLR-16-HO offer 10 watts of remote power with halogen heads and 13 watts of remote power with led heads: choose remote heads accordingly

MODEL	No. of HEADS	OPTIONS		HOUSING		VOLTAGE		COLOR		LAMP TYPE ¹		
RHLED	1	Single Head	(blank)	For Standard Non-Self-Diagnostic Fixtures For Use With Fixtures With A Self-Diagnostic Option	PWP	Polycarbonate	MV	For Use With 3.6V, 6V, 9.6V & 12V DC Power Source	(blank)	Gray	(blank)	8 LEDs 1W
	2	Double Head	SDT		WP	Die-Cast			B	Black	HL	12 LEDs 1.5W