

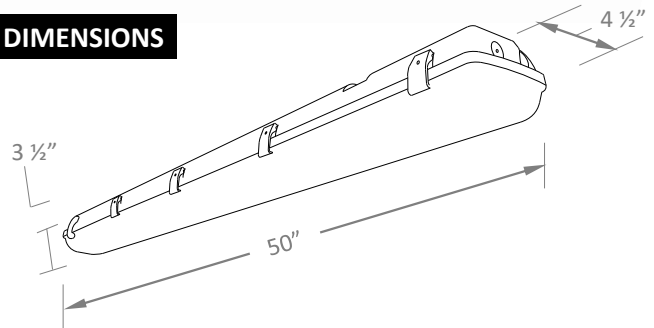
DISCONTINUED 07.17.2023

LLVTPLED Series

4' LED Linear Vaportite in 3 Wattages with Optional Occupancy Sensor and Battery Backup.



DIMENSIONS



FEATURES

- ▽ Universal 120-277 AC voltage (50-60Hz)
- ▽ 0-10vdc dimming capability is standard.
- ▽ Power factor > 0.90.
- ▽ Total harmonic distortion < 20%.
- ▽ Color rendering index > 80.
- Long-life LEDs provide at least 89,000 hours of operation with at least 70% of initial lumen output (L70).**
- ▽ Polycarbonate housing and lens.
- ▽ Stainless steel mounting bracket and lens clips.
- ▽ Heavy duty wall-mount bracket provides for secure wall and ceiling installation.
- ▽ Easy installation in new construction or retrofit.

** L₇₀ hours are IES TM-21-11 calculated hours.



WARRANTY & LISTINGS

- cULus approved for wet locations (-20°C to 50°C / -4°F to 122°F).
- IP65 rated for ingress protection.
- DLC premium approved.
- Complies with FCC Part 15, Class A.
- Complies with IEEE C.62.41-1991, input transient protection (2.5kV).
- Complies with RoHS (Restriction on Hazardous Substances) requirements.
- 5-year warranty of all electronics and housing.
- Not suitable for use in car wash applications.

ORDERING INFORMATION

Model #	Color Temp.	Voltage	Options
LLVTPLED-35 LLVTPLED-40 LLVTPLED-52	35k 40k 50k	UNV	MC613VDRC = Internal occupancy sensor EDEM-CP-800 = Emergency driver (800 lm) EDEM-CP-1200 = Emergency driver (1200 lm) EDEM-CP-1600 = Emergency driver (1600 lm)

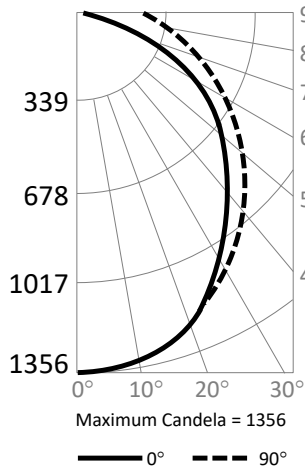
ELECTRICAL

Model	Color Temp	CRI ¹	Lumens	Wattage	Lumens Per Watt	Input Voltage ²	Input Current (A)			Power Factor	THD ³	L ₇₀ Hours ⁴
							120V	240V	277V			
LLVTPLED-35-35KMV-ET	3500k	> 80	4,244	35	125	120-277	0.28	0.14	0.12	> 90%	< 20%	105,000
LLVTPLED-35-4KMV-ET	4000k	> 80	4,550	35	130	120-277	0.29	0.15	0.13	> 90%	< 20%	105,000
LLVTPLED-35-5KMV-ET	5000k	> 80	4,585	35	131	120-277	0.29	0.15	0.13	> 90%	< 20%	105,000
LLVTPLED-40-35KMV-ET	3500k	> 80	4,793	40	120	120-277	0.33	0.17	0.14	> 90%	< 20%	104,000
LLVTPLED-40-4KMV-ET	4000k	> 80	5,200	40	130	120-277	0.33	0.17	0.14	> 90%	< 20%	104,000
LLVTPLED-40-5KMV-ET	5000k	> 80	5,240	40	131	120-277	0.33	0.17	0.14	> 90%	< 20%	104,000
LLVTPLED-52-35KMV-ET	3500k	> 80	6,469	52	127	120-277	0.43	0.21	0.18	> 90%	< 20%	89,000
LLVTPLED-52-4KMV-ET	4000k	> 80	6,760	52	130	120-277	0.43	0.22	0.19	> 90%	< 20%	89,000
LLVTPLED-52-5KMV-ET	5000k	> 80	6,812	52	131	120-277	0.43	0.22	0.19	> 90%	< 20%	89,000

1: Color rendering index. 2: All 50-60Hz. 3: Total harmonic distortion. 4: L70 refers to the number of hours at which lumen output declines to 70% of the initial level. L70 hours are IES TM-21-11 calculated hours.

PHOTOMETRIC DATA

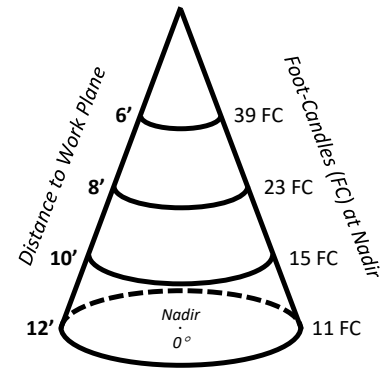
Model: LLVTPLED-35-35KMV (4,244 lumens)



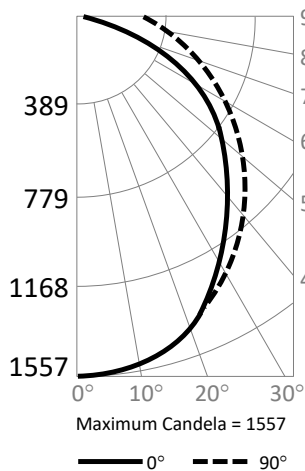
Candlepower Summary		
	0°	90°
0°	1,356	1,356
10°	1,326	1,329
20°	1,234	1,242
30°	1,088	1,122
40°	902	987
50°	698	841
60°	493	692
70°	297	540
80°	119	378
90°	17	240

Zonal Lumen Summary		
Zone	Lumens	% Fixture
0° – 10°	128	3.0%
0° – 20°	489	11.5%
0° – 30°	1,026	24.2%
0° – 40°	1,661	39.1%
0° – 50°	2,313	54.5%
0° – 60°	2,912	68.6%
0° – 70°	3,403	80.2%
0° – 80°	3,752	88.4%
0° – 90°	3,957	93.2%
90° – 180°	287	6.8%
0° – 180°	4,244	100.0%

Cone of Light



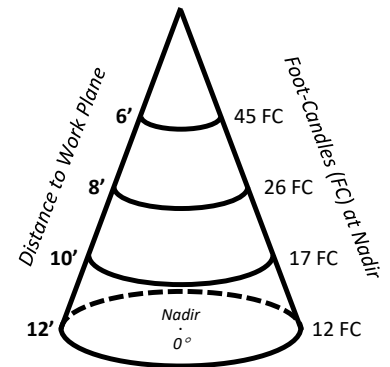
Model: LLVTPLED-40-35KMV (4,793 lumens)



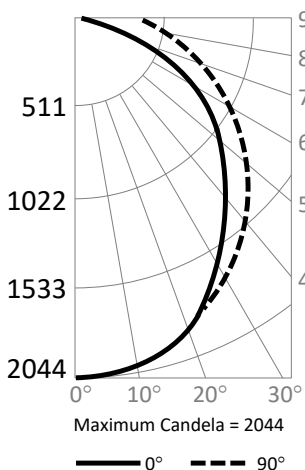
Candlepower Summary		
	0°	90°
0°	1,557	1,557
10°	1,521	1,524
20°	1,416	1,413
30°	1,245	1,267
40°	1,027	1,110
50°	788	941
60°	547	772
70°	326	610
80°	131	424
90°	18	259

Zonal Lumen Summary		
Zone	Lumens	% Fixture
0° – 10°	147	3.1%
0° – 20°	562	11.7%
0° – 30°	1,176	24.5%
0° – 40°	1,899	39.6%
0° – 50°	2,638	55.0%
0° – 60°	3,311	69.1%
0° – 70°	3,861	80.6%
0° – 80°	4,254	88.8%
0° – 90°	4,486	93.6%
90° – 180°	307	6.4%
0° – 180°	4,793	100.0%

Cone of Light



Model: LLVTPLED-52-35KMV (6,469 lumens)



Candlepower Summary		
	0°	90°
0°	2,044	2,044
10°	2,003	2,013
20°	1,867	1,895
30°	1,643	1,701
40°	1,356	1,505
50°	1,030	1,313
60°	709	1,075
70°	415	807
80°	164	546
90°	24	344

Zonal Lumen Summary		
Zone	Lumens	% Fixture
0° – 10°	193	3.0%
0° – 20°	743	11.5%
0° – 30°	1,561	24.1%
0° – 40°	2,527	39.1%
0° – 50°	3,521	54.4%
0° – 60°	4,436	68.6%
0° – 70°	5,185	80.1%
0° – 80°	5,713	88.3%
0° – 90°	6,027	93.2%
90° – 180°	442	6.8%
0° – 180°	6,469	100.0%

Cone of Light

