



Job Name: _____

. ype: _____

Part #: _____

Notes: _____

LL85361HO-7R

7" LED Slim Round Disk Light.
Optional Battery Backup or Empty Casing.

Finishes: White (WH), Black (BLK), and Brushed Nickel (BN)

Lens: Frosted acrylic layered diffuser

Body Material: Aluminum backplate and plastic heat sink

Dimensions: 7.0" OD x 0.75"H

Light Source: 120V/15.1W/1267lm Del/90CRI/Dimming
Available in 30K or 5MCT (Selectable: 27K, 30K, 35K, 40K, 50K)

Mounting:

- Mounting bracket included for installation in 3" or 4" J-Box applications
 - Retrofit option available by special order for mounting in recessed 5/6" housing.
- Includes torsion springs and medium base adapter.

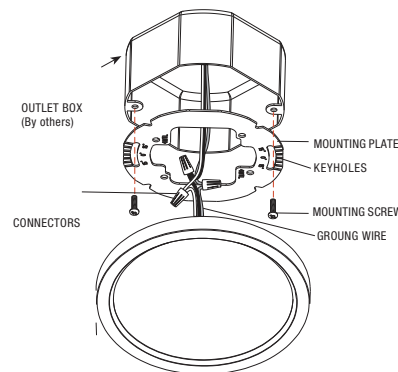
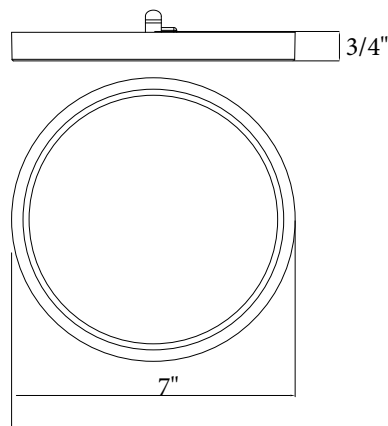
See your Lumencia rep for details.

Notes/Certifications/Warranty:

- 120V
- Dimmable TRIAC or ELV, 10-100%
- Energy Star Listed (LL85361-HO-7-C9-30K only)
- JA8 Listed (LL85361-HO-7-C9-30K only)
- cCSAus Listed for Wet Locations
- Suitable for use in closets when installed in accordance to NEC Section 410.16 (C)(1)
- 50K life Hours
- 5 Year Limited Warranty for LED
- All other parts have 1 Year Limited Warranty



*LL85361-HO-7-C9-30K only



Part #	Color Temp	Finishes
LL85361HO-7R	30K 5MCT	WH BLK BN

May be available with other voltage, wattage, finish, and cable length options by special order.
Please contact your Lumencia Representative for more information

LL4785-BBU

Battery Back-up Accessory with Test Switch.

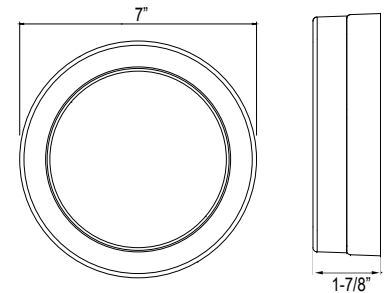
Housing: Durable metal backplate and heat sink to facilitate heat dissipation

Dimensions: 7" x 1.875" adds 1.125" to overall height

Installation: Installs to Standard 3" or 4" J-Box

Battery Backup Module Notes/Certifications:

- 120V
- Non-Switch Loads Only (Always On Applications)
- Battery - 11.1V / 2.6Ah Ni-MH Rechargeable; up to 24 hours charge time
- Emergency Output - 20% of nominal power
- Provides over 120 minutes when normal power fails
- LED Indications - Red - Charging; Green - Fully Charged; Yellow - Faulty
- Operating Temperature - 0°C (32°F) to +55°C (+131°F)
- Test Switch / Charging Indicator Light: 4W-ITS (4-wire illuminated test switch) included on LL4785-EM
- cCSAus Listed to UL924 standards
- Damp Location Rated
- 1 Year Limited Warranty



Emergency Back-Up or Empty Filler Unit

LL4785-EC

Empty Casing for Uniform Profile When Mixing BBU and Non-BBU Units

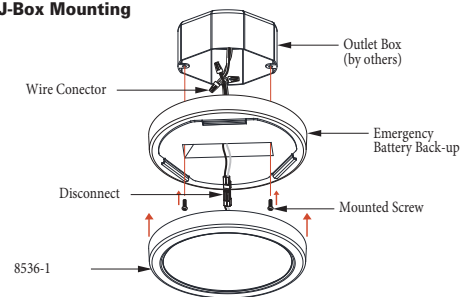
Housing: Durable metal backplate and heat sink to facilitate heat dissipation

Dimensions: 7" x 1.875" adds 1.125" to overall height

Installation: Installs to Standard 3" or 4" J-Box

Warranty: 1 Year Limited Warranty

J-Box Mounting



Part #	Notes
LL4785-WH-BBU	Battery Backup in White
LL4785-BLK-BBU	Battery Backup in Black
LL4785-BN-BBU	Battery Backup in Brushed Nickel
LL4785-WH-EC	Empty Housing in White
LL4785-BLK-EC	Empty Housing in Black
LL4785-BN-EC	Empty Housing in Brushed Nickel

May be available in other wattages, voltages, color temperatures, finishes, and lamping sources with orders of 50 units or more. Contact your rep or the factory for more information.