

Job Name: _____

Type: _____

Part #: _____

Notes: _____

LLCLPU

ALL LED EXIT & EMERGENCY LIGHTPIPE THERMOPLASTIC COMBO

STANDARD

OPTIONAL



ILLUMINATION

- Ultra bright, energy efficient white LED emergency lighting.
- 4.5 watt (36 LEDs x 0.125 watts) per light pipe.
- Adjustable high performance, smooth, chrome-plated, metallized reflector and acrylic, UV-stabilized "Light Pipe" lens for optimal light distribution.
- Long life, energy efficient Red or Green LED EXIT sign illumination.

ELECTRICAL

- Dual 120/277 voltage.
- Charge rate/power "ON" LED indicator light and push-to-test switch for mandated code compliance testing.
- 4.8V long life, maintenance-free, rechargeable NiCd battery.
- Remote capacity of 3.0 watts standard.
- Internal solid-state transfer switch automatically connects the internal battery to LED board and LED Light Pipe for minimum 90-minute emergency illumination.
- Fully automatic solid-state, two rate charger initiates battery charging to recharge a discharged battery in 24 hours.

MOUNTING

- EZ-snap mounting canopy included for top or end mount.
- Universal knockout pattern on back plate for wall mount.

HOUSING

- Injection-molded, engineering grade, 5VA flame retardant, high-impact resistant, thermoplastic in white or black finishes.
- EZ snap-out Chevron directional indicators.

ORDERING INFORMATION

Sample Part Number: **LLCLPU2RWRC**

MODEL	No. of FACES	LETTER COLOR	HOUSING COLOR	OPTIONS
LLCLPU	2	R Red	W White	RC Remote Capable (3.0 W Total) (Standard)
		G Green	B Black	
Special voltage & SALIDA face plate options available.				SDT Self-Diagnostics CUSTOM Custom Wording



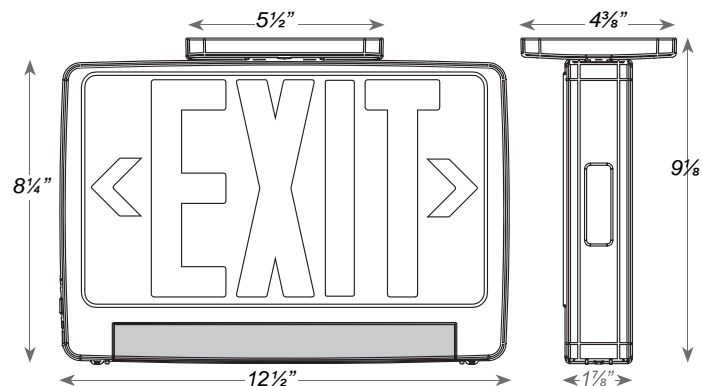
OPTIONS

- SDT: Self-diagnostic feature performs monthly, biannual, and annual tests to ensure reliable operation and meets electrical and life safety codes.
- Custom: Signs available with requested "special" wording.

WARRANTY / LISTING

- Five year warranty on all electronics and housing. Battery prorated for five years.
- Meets UL924, NFPA 101 Life Safety Code, NEC, OSHA, Local and State Codes.
- UL Listed for damp locations (0°C – 50°C).
- Certified to CEC under Title 20 Regulations.

DIMENSIONS



Job Name: _____

Type: _____

Part #: _____

Notes: _____

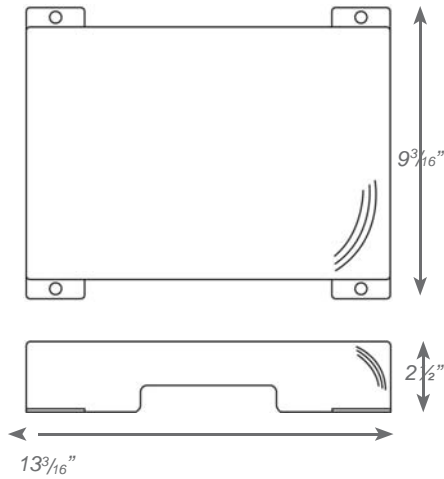
VANDAL SHIELDS

HOUSING / MOUNTING

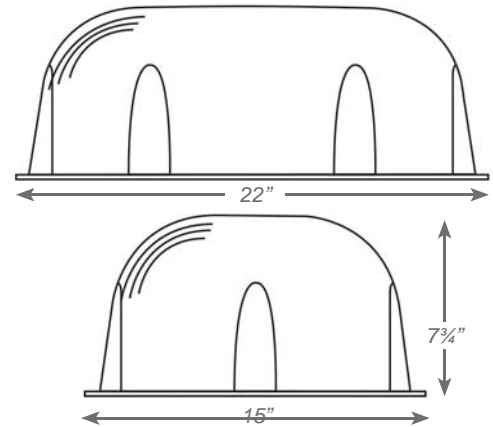
- High-impact resistant polycarbonate material.
- Mounting hardware provided for easy installation in the field.



PCS-1



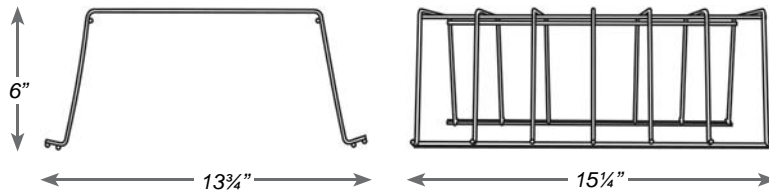
BG-1



WIRE GUARD

- Durable 9-gauge steel construction.
- Mounting hardware provided for easy field installation.

WG-1



Job Name: _____

Type: _____

Part #: _____

Notes: _____

LLRHLED

LED INDOOR THERMOPLASTIC REMOTE HEAD

ILLUMINATION

- Long lasting, efficient, ultra bright white LED lamp heads.
- 1.0 watt (8 LEDs x 0.125 watt) per head.
- High performance chrome-plated metalized reflector and plastic lens for optimal light distribution.
- Adjustable LED lamp heads provide optimal center-to-center spacing.
- Optional high lumen heads are 1.5 watts (12 LEDs x 0.125 watt per head) and provide increased center-to-center spacing.

ELECTRICAL

- Powered from low voltage power source with low voltage wiring (not provided).

MOUNTING

- Universal mounting adapter plate included. Mounts to single-gang switch box.
- Distance of maximum run is determined by system voltage, wire gauge and total maximum wattage on the run.
- Suitable for wall or ceiling mount.

HOUSING

- Injection-molded, engineering grade, 5VA flame retardant, high-impact resistant, thermoplastic in white or black finish.

WARRANTY/LISTING

- Five year warranty.
- UL Listed
- Meets UL924, NFPA 101 Life Safety Code, NEC, OSHA, Local and State Codes.

ORDERING INFORMATION

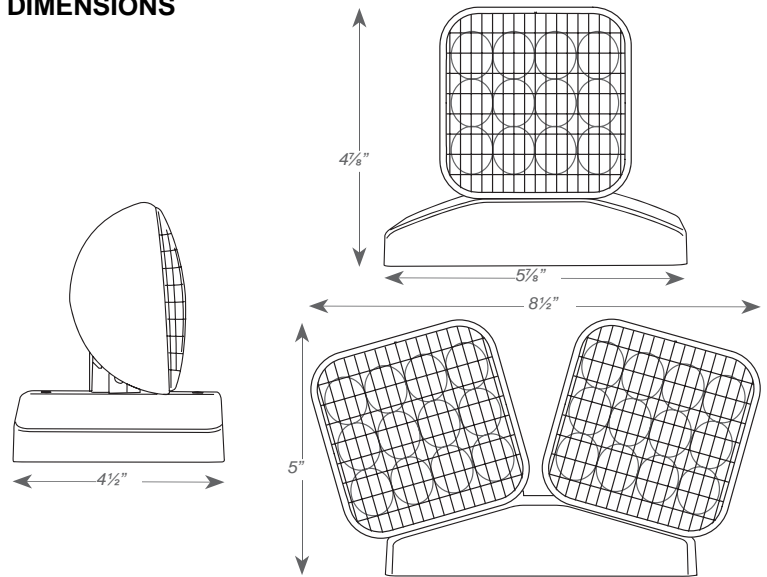
LLCLPU offers 3.0 watts of Remote Power - Choose remote heads accordingly

MODEL	No. of HEADS	OPTIONS		VOLTAGE	COLOR	LAMP TYPE ¹		
LLRHLED	1	Single Head	(blank)	MV	(blank)	Gray	(blank)	8 LEDs 1W
	2	Double Head	SDT			Black		

¹ Wattage rating stated per head.



DIMENSIONS



LLRHLED LED OUTDOOR POLYCARBONATE/DIE-CAST REMOTE HEAD

ILLUMINATION

- Long lasting, efficient, ultra-bright white LED lamp heads.
- 1.0 watt (8 LEDs x 0.125 watt) per head.
- High performance chrome-plated metalized reflector and plastic lens for optimal light distribution.
- Adjustable LED lamp heads provide optimal center-to-center spacing.
- Optional high lumen heads are 1.5 watts (12 LEDs x 0.125 watt per head) and provide increased center-to-center spacing.

ELECTRICAL

- Powered from low voltage power source with low voltage wiring (not provided).

MOUNTING

- Universal mounting adapter plate included. Mounts to single-gang switch box.
- Distance of maximum run is determined by system voltage, wire gauge and total maximum wattage on the run.
- Suitable for wall or ceiling mount.

HOUSING

- Available in both engineering grade, high-impact resistant polycarbonate or premium grade die-cast aluminum housing.
- Sealed and gasketed in standard gray or black finish.

ORDERING INFORMATION

LLCLPU offers 3.0 watts of Remote Power - Choose remote heads accordingly

MODEL	No. of HEADS	OPTIONS	HOUSING	VOLTAGE	COLOR	LAMP TYPE ¹			
LLRHLED	1	Single Head	(blank)	PWP	Polycarbonate	MV	For Use With 3.6V, 6V, 9.6V & 12V DC Power Source	(blank)	8 LEDs 1W
	2	Double Head	SDT	WP	Die-Cast			B Black	HL 12 LEDs 1.5W



WARRANTY/LISTING

- Five year warranty.
- UL Listed.
- Meets UL924, NFPA 101 Life Safety Code, NEC, OSHA, Local and State Codes.

DIMENSIONS

