

Job Name: _____

Type: _____

Part #: _____

Notes: _____

LLLEDCXTEU

LED Thermoplastic Combo

STANDARD

OPTIONAL



ILLUMINATION

- Long lasting, efficient ultra bright white LED lamp heads.
- 1.0 watt (8 LEDs x 0.125W) per head.
- High performance chrome-plated metallized reflector and plastic lens for optimal light distribution.
- Adjustable LED lamp heads provides optimal center-to-center spacing.
- Long life, energy efficient Red or Green LED EXIT sign illumination.

ELECTRICAL

- Dual 120/277 voltage.
- Charge rate/power "ON" LED indicator light and push-to-test switch for mandated code compliance testing.
- 9.6V Long life, maintenance-free, rechargeable NiCd battery.
- Internal solid-state transfer switch automatically connects the internal battery to LED board and LED lamp heads for minimum 90-minute emergency illumination.
- Fully automatic solid-state, two rate charger initiates battery charging to recharge a discharged battery in 24 hours.

MOUNTING

- EZ-snap mounting canopy included for top or end mount.
- Universal knockout pattern on back plate for wall mount.

HOUSING

- Injection-molded, engineering grade, 5VA flame retardant, high-impact resistant, thermoplastic in white or black finish.
- EZ snap-out Chevron directional indicators.

ORDERING INFORMATION

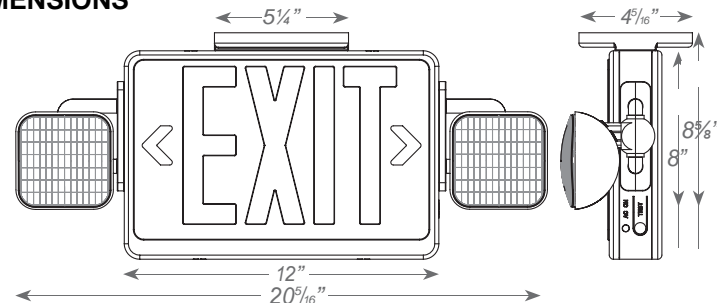
OPTIONS

- RC: Remote capacity of up to 3.0 watts.
- HL: 12-LED heads provide increased center-to-center spacing (1.5W per head).
- NH: No lamp head attach to the unit enabling it to be used as remote capable exit sign.
- SDT: Self-diagnostic feature performs monthly, biannual, and annual tests to ensure reliable operation and meets electrical and life safety codes.
- Custom: Signs available with requested "special" wording.

WARRANTY / LISTING

- Five year warranty on all electronics and housing. Battery prorated for five years.
- Meets UL924, NFPA 101 Life Safety Code, NEC, OSHA, Local and State Codes.
- UL Listed for damp locations (0°C – 40°C).
- Certified to CEC under Title 20 Regulations.

DIMENSIONS



MODEL	No. of FACES	LETTER COLOR	HOUSING COLOR	OPTIONS
LLLEDCXTEU	2 Universal Single/ Double Face	R Red	W White	RC Remote Capacity (3.0 Watts)
		G Green	B Black	HL High Lumen No NH Lamp Heads Self-Diagnostics SDT Custom Wording

Job Name: _____

Type: _____

Part #: _____

Notes: _____

RHLED - LED INDOOR THERMOPLASTIC REMOTE HEAD

ILLUMINATION

- Long lasting, efficient, ultra bright white LED lamp heads.
- 1.0 watt (8 LEDs x 0.125 watt) per head.
- High performance chrome-plated metalized reflector and plastic lens for optimal light distribution.
- Adjustable LED lamp heads provide optimal center-to-center spacing.
- Optional high lumen heads are 1.5 watts (12 LEDs x 0.125 watt per head) and provide increased center-to-center spacing.

ELECTRICAL

- Powered from low voltage power source with low voltage wiring (not provided).

MOUNTING

- Universal mounting adapter plate included. Mounts to single-gang switch box.
- Distance of maximum run is determined by system voltage, wire gauge and total maximum wattage on the run.
- Suitable for wall or ceiling mount.

HOUSING

- Injection-molded, engineering grade, 5VA flame retardant, high-impact resistant, thermoplastic in white or black finish.

WARRANTY/LISTING

- Five year warranty.
- UL Listed
- Meets UL924, NFPA 101 Life Safety Code, NEC, OSHA, Local and State Codes.

ORDERING INFORMATION

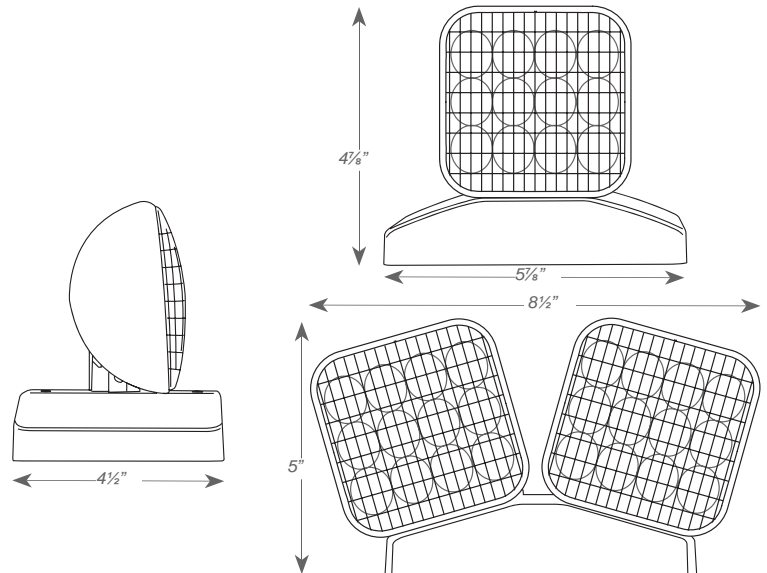
LLLEDXTEU offer 3.0 watts of remote capacity, choose remote heads accordingly.

MODEL	No. of HEADS	OPTIONS		VOLTAGE		COLOR		LAMP TYPE ¹	
RHLED	1	Single Head	(blank)	MV	For Use With 3.6V, 6V, 9.6V & 12V DC Power Source	(blank)	Gray	(blank)	8 LEDs 1W
	2	Double Head						HL	12 LEDs 1.5W
			SDT						

¹ Wattage rating stated per head.



DIMENSIONS



Job Name: _____

Type: _____

Part #: _____

Notes: _____

RHLED - LED OUTDOOR POLYCARBONATE/ DIE-CAST REMOTE HEAD

ILLUMINATION

- Long lasting, efficient, ultra bright white LED lamp heads. 1.0 watt (8 LEDs x 0.125 watt) per head.
- High performance chrome-plated metalized reflector and plastic lens for optimal light distribution.
- Adjustable LED lamp heads provide optimal center-to-center spacing
- Optional high lumen heads are 1.5 watts (12 LEDs X 0.125 watt per head) and provide increased center-to-center spacing.

ELECTRICAL

- Powered from low voltage power source with low voltage wiring (not provided).

MOUNTING

- Universal mounting adapter plate included. Mounts to single-gang switch box.
- Distance of maximum run is determined by system voltage, wire gauge and total maximum wattage on the run.
- Suitable for wall or ceiling mount.

HOUSING

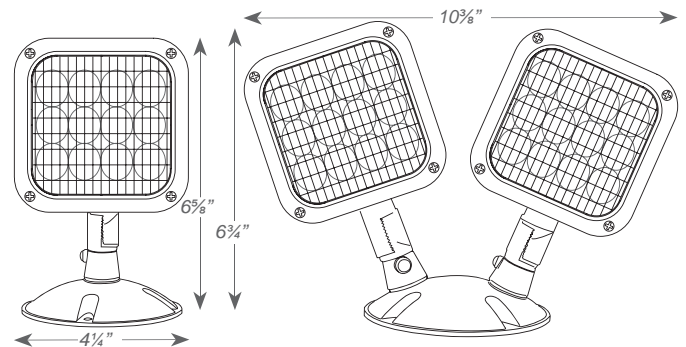
- Available in both engineering grade, high-impact resistant polycarbonate or premium grade die-cast aluminum housing.
- Sealed and gasketed in standard gray or black finish.



WARRANTY/LISTING

- Five year warranty.
- UL Listed
- Meets UL924, NFPA 101 Life Safety Code, NEC, OSHA, Local and State Codes.

DIMENSIONS



ORDERING INFORMATION

LLLEDCXTEU offer 3.0 watts of remote capacity, choose remote heads accordingly.

MODEL	No. of HEADS		OPTIONS		HOUSING		VOLTAGE		COLOR		LAMP TYPE ¹	
RHLED	1	Single Head	(blank)	For Standard	PWP	Polycarbonate	MV	For Use With 3.6V, 6V, 9.6V & 12V DC Power Source	(blank)	Black	(blank)	8 LEDs 1W
	2	Double Head	SDT	Non-Self-Diagnostic Fixtures For Use With Fixtures With A Self-Diagnostic Option	WP	Die-Cast			HL		12 LEDs 1.5W	

Job Name: _____

Type: _____

Part #: _____

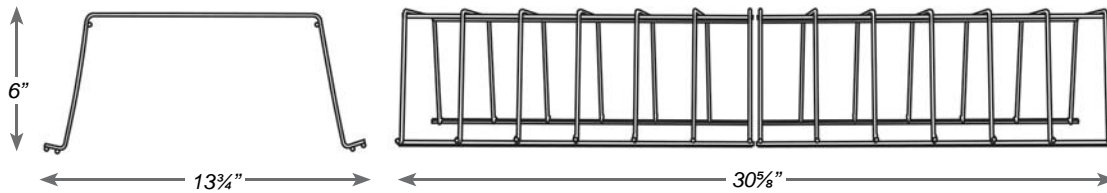
Notes: _____

WIRE GUARD

- Durable 9-gauge steel construction.
- Mounting hardware provided for easy field installation.



WG-3



VANDAL SHIELDS

HOUSING / MOUNTING

- High-impact resistant polycarbonate material.
- Mounting hardware provided for easy installation in the field.



BG-3C

